

# MEGAMAN® PIR Sensor Module

LA11076



PIR Sensor



Instruction Manual | Bedienungsanleitung | Manual de instrucciones | Manuale d'istruzioni | Manuel d'instructions  
 Handleiding | Návod k použití



H07RN-F/3X1.5 → IP66



MEGAMAN®



[www.megaman.cc/user-guide](http://www.megaman.cc/user-guide)



A1



1 PCS

A2

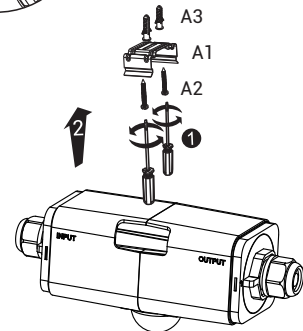
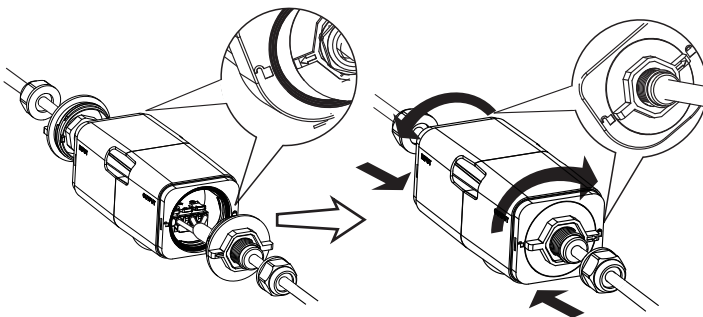
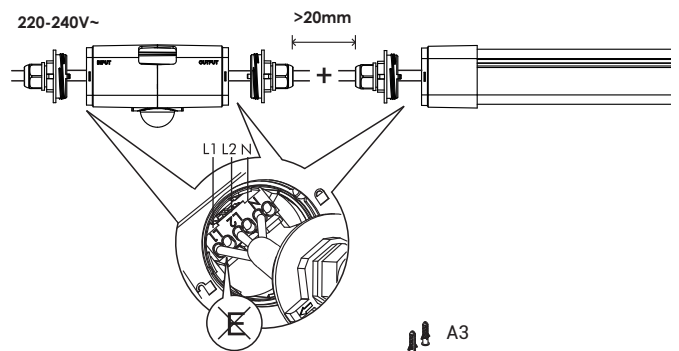
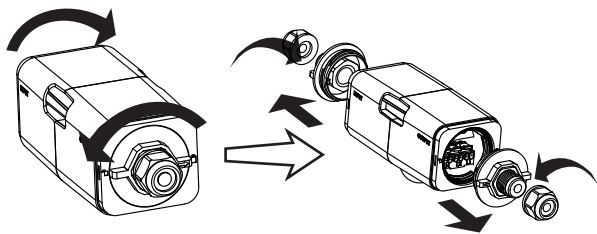


2 PCS

A3

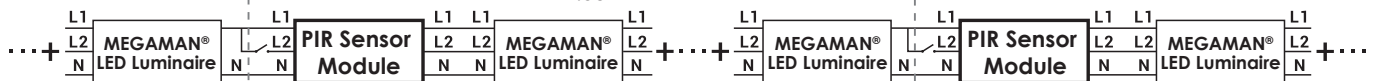


2 PCS



MAX.6A

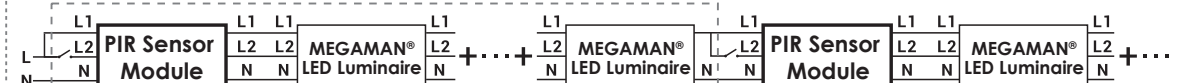
MAX.504W



or

MAX.6A

MAX.504W



L1:Permanent Live - Max. 6A  
 L2:Switched Live - Max. 504W / 2.4A  
 Used with a rating 16A external protector

# MEGAMAN® PIR Sensor Module

LA11076



Instruction Manual | Bedienungsanleitung | Manual de instrucciones | Manuale d'istruzioni | Manuel d'instructions | Handleiding | Návod k použití

10sec/5min/10min/15min/20min

15lux/30lux/50lux/disable

---

30 15 50  
disable MIN MAX  
**LUX**

10 5 15  
5 10 20  
MIN MAX  
**Hold Time**

**STARTUP**

---

| H (m) | WØ (m)* |
|-------|---------|
| 2     | 5       |
| 3     | 7       |
| 4     | 11      |
| 5     | 13      |
| 6     | 13      |
| 7     | 14      |
| 8     | 14      |

\*±20% tolerance subject to environmental conditions

220-240V~

50/60 Hz

Ta -20°C ~ +40°C

IP66 IK08