

SMART SENSOR

Ambient lighting sensor + microwave motion sensor

MLS001/b3

MEGAMAN®

Instruction Manual



PRODUCT FEATURES

- Works with Infinite® IoT Lighting
- Easy setting on Infinite® mobile APP
- For the microwave motion sensor, the Microwave strengthen and the detection range can be adjusted, so there are variable settings according to the usages
- Ambient light measurement and setting up the desired brightness to harvest the lighting from the environment
- Wireless communication through Bluetooth® Low Energy (BLE)



APPLICATIONS

- Hallway
- Toilet
- Staircase
- Office

SMART SENSOR

Ambient lighting sensor + microwave motion sensor

MLS001/b3

PRODUCT INFORMATION

Model Number	MLS001/b3
Product Code	MLS001/b3
MM Code	711401/MM11401

ELECTRICAL INFORMATION

Input Voltage	AC 120-277V
Frequency	50/60 Hz

GENERAL INFORMATION

IP	IP20
----	------

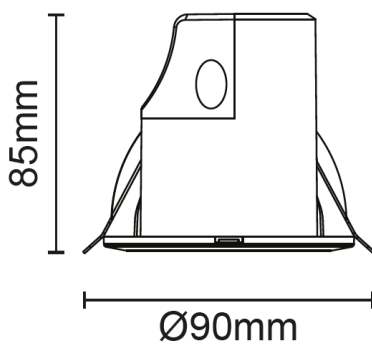
RF INFORMATION

Protocol	Bluetooth® 5.0
Frequency	2.4 GHz
Maximum control distance (Line of sight)	30m
Suggest distance between devices (nodes)	10m

MECHANICAL AND MATERIAL

Housing Material	PS
Housing Colour	WH26
Diameter	90 mm
Height	85 mm
Recessed Cut Out	70 – 80 mm
Weights	141 g

DIMENSIONAL DRAWING



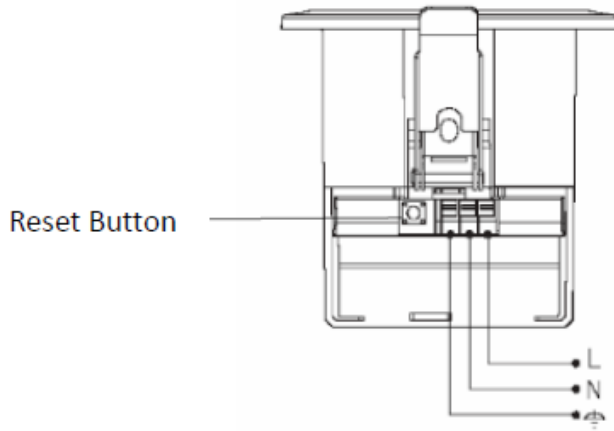
SMART SENSOR

Ambient lighting sensor + microwave motion sensor

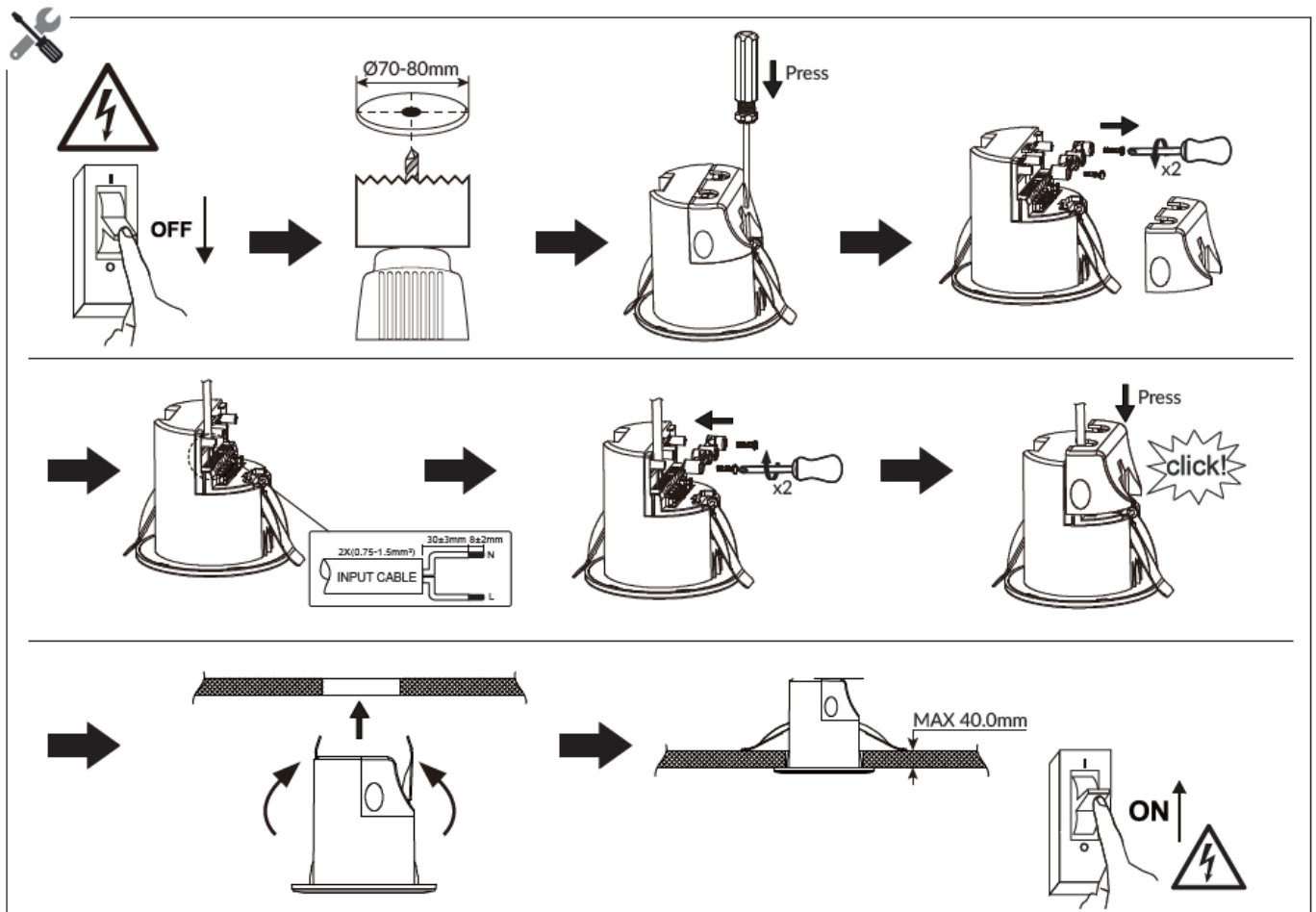
Instruction Manual

MLS001/b3

WIRING DIAGRAM



INSTALLATION



SMART SENSOR

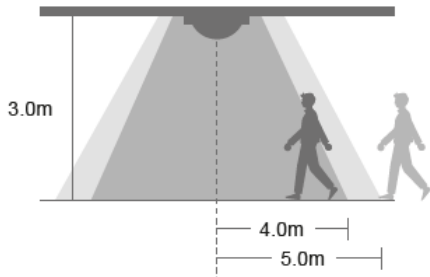
Ambient lighting sensor + microwave motion sensor

Instruction Manual

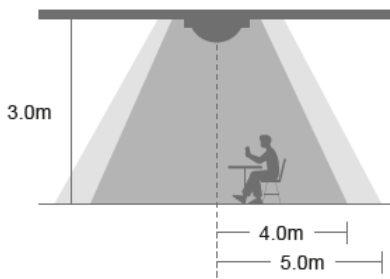
MLS001/b3

Detection Range

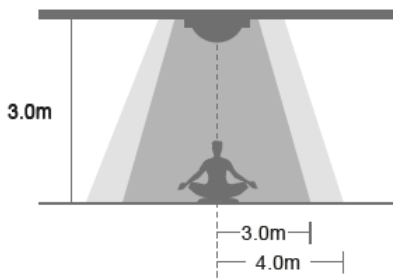
Installation height: 3 meters



Walking through: detection radius is 4 – 5 m



Small motion: detection radius is 4 – 5 m



Breathing/ meditation: detection radius is 3 – 4 m

APPLICATION

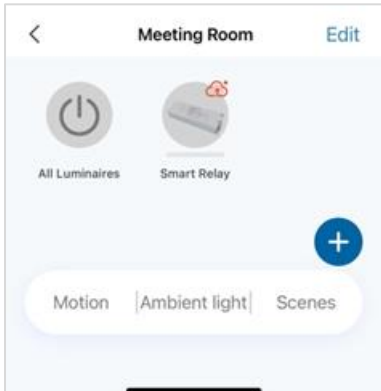


Version: 1.2.6

Date: 12th October 2024

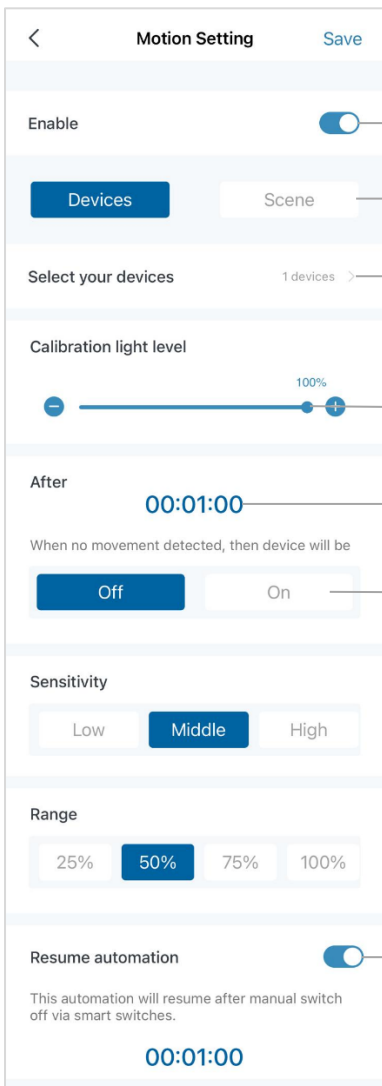
Motion Sensor Settings

Enter the Motion Setting page



Tap the "Motion" button on the bottom of an area page.

Overview of Motion Setting page



Enable: switch on to enable motion sensor; switch off to disable

2 trigger modes: **Devices** and **Scene**.

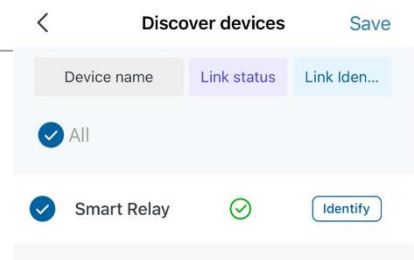
Tap here to select devices link to the sensor.

Slide the bar to setup the brightness if there is motion triggered.

Schedule a time period to keep the brightness level of the selected devices.

Off: after the time period running out, the light is turned off.
On: after the time period running out, the light will change to another brightness level.

Resume automation
Enable: this automation will resume after the timer expires if people control the light by App or smart switch.
Disable: the automation will not resume again.



Example:

Motion Detected → Light turns on 100% brightness for 1 minute → 1 minute later, the light dims to 10% → 1 minute later, the light turns off

The screenshot shows the 'Motion Setting' screen with the following callouts:

- Calibration light level:** A slider is set to 100%. Callout: "The brightness is set to 100% if there is motion triggered."
- After:** A timer is set to 00:01:00. Callout: "The time period is set to 1 minute."
- When no movement detected, then device will be:** The 'On' button is selected. Callout: "The light will keep turning on after above timer expired."
- Dimming:** A slider is set to 10%. Callout: "The light will dim to 10% after above timer expired."
- Futher action:** A toggle switch is turned on. Callout: "Enable another timer to turn off the light."
- Then the device will be off:** A timer is set to 00:01:00. Callout: "Setup the timer"

Example:

Motion Detected → Light turns on 100% brightness for 1 minute → 1 minute later, the light dims to 10%

The screenshot shows the 'Motion Setting' screen with the following callouts:

- Calibration light level:** A slider is set to 100%. Callout: "The brightness is set to 100% if there is motion triggered."
- After:** A timer is set to 00:01:00. Callout: "The time period is set to 1 minute."
- When no movement detected, then device will be:** The 'On' button is selected. Callout: "The light will keep turning on after above timer expired."
- Dimming:** A slider is set to 10%. Callout: "The light will dim to 10% after above timer expired."
- Futher action:** A toggle switch is turned off. Callout: "Disable further action."

SMART SENSOR

Ambient lighting sensor + microwave motion sensor

Instruction Manual

MLS001/b3

Example:

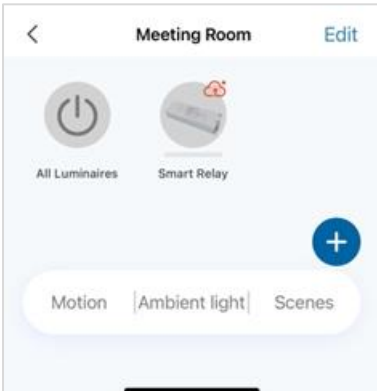
Motion Detected → the selected scene triggered → 1 minute later, the light in this area turns off.

The screenshot shows the 'Motion Setting' screen in an app. At the top, there is a back arrow, the title 'Motion Setting', and a 'Save' button. Below this is an 'Enable' toggle switch which is turned on. There are two buttons: 'Devices' and 'Scene', with 'Scene' being highlighted in blue. Below these is a 'Select a scene' dropdown menu currently showing 'pendant'. Underneath is a timer set to '00:01:00'. Below the timer is the text 'When no movement detected, then device will be' followed by two buttons: 'Off' (highlighted in blue) and 'On'. Four callout boxes with lines pointing to the interface provide the following explanations:

- Callout 1: Points to the 'Scene' button. Text: 'Select Scene mode'
- Callout 2: Points to the 'pendant' dropdown. Text: 'Select an existing scene you want to trigger once movement detected.'
- Callout 3: Points to the '00:01:00' timer. Text: 'The time period is set to 1 minute.'
- Callout 4: Points to the 'Off' button. Text: 'The light will keep turning on after above timer expired.'

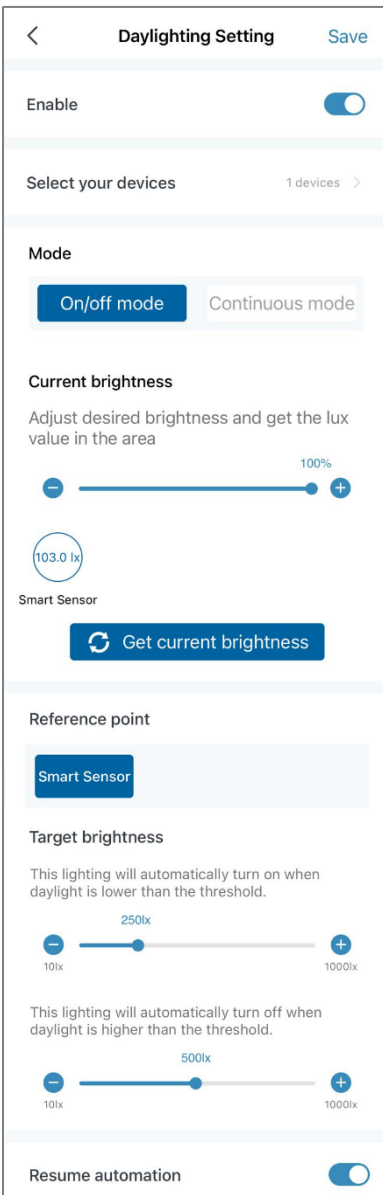
Ambient Light Sensor Settings

Enter the Day Light Setting page



Tap the “Ambient light” button on the bottom of an area page.

Overview of Day Light Setting page – On/Off mode



Enable: switch on to enable daylight sensor; switch off to disable.

Tap here to select devices link to the sensor.

2 trigger modes: **On/off mode** and **Continuous mode**.

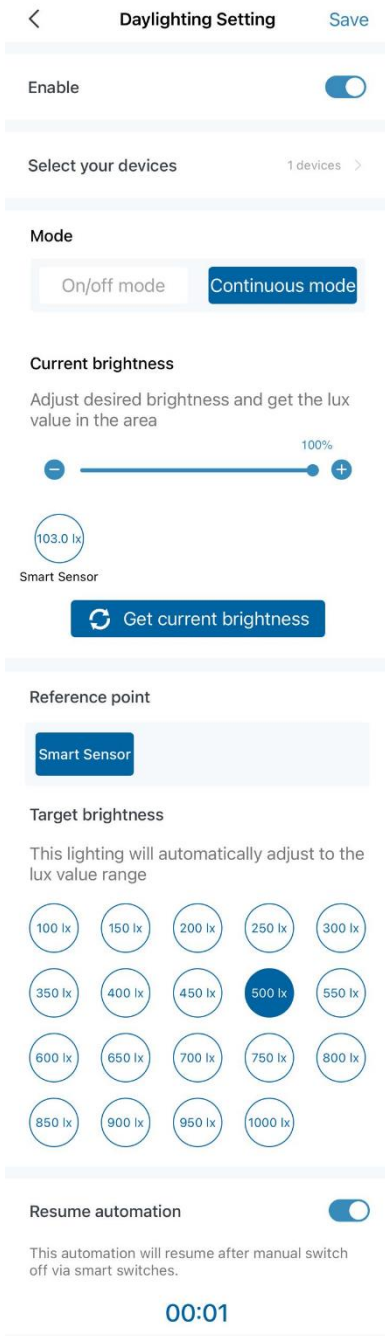
This section is for user adjust the brightness in this area and get the reading from the sensor.

Select a sensor to trigger the automation.

Set a lower trigger point.
If the ambient brightness is lower than this point, the light will switch on in order to adjust the brightness

Set an upper trigger point.
If the ambient brightness is higher than this point, the light will switch off in order to adjust the brightness

Overview of Day Light Setting page – Continuous mode



Enable: switch on to enable daylight sensor; switch off to disable.

Tap here to select devices link to the sensor.

2 trigger modes: **On/off mode** and **Continuous mode**.

This section is for user adjust the brightness in this area and get the reading from the sensor.

Select a sensor to trigger the automation.

Select a target brightness
If the current ambient brightness is too low to the target brightness, the light will turn on or brighten up;
If the current ambient brightness is too high to the target brightness, the light will turn off or dim down.